

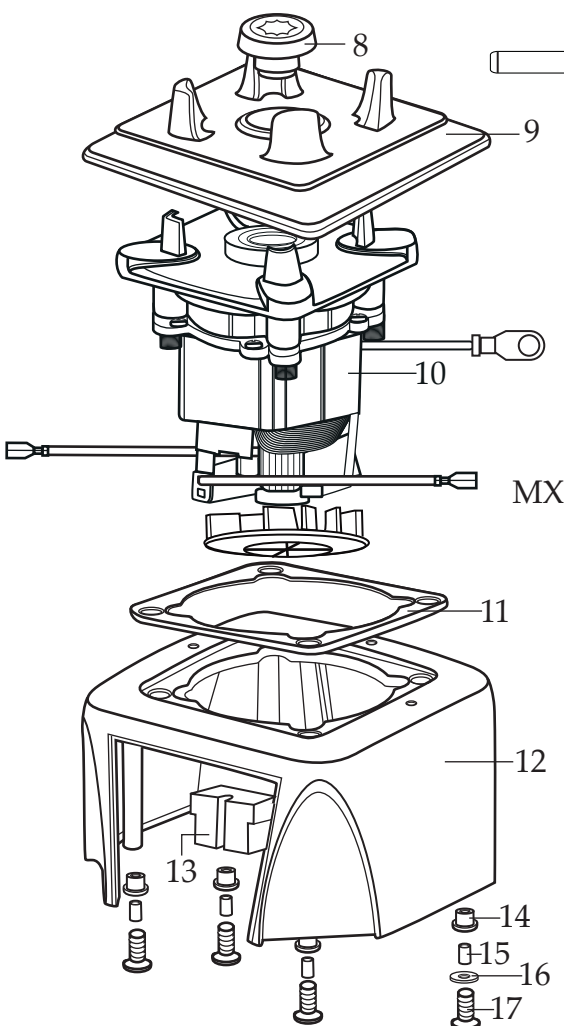


Xtreme Blenders with Electronic Membrane Keypad and a 30 Second Electronic Countdown Timer with a 64 oz. Stackable Raptor Container

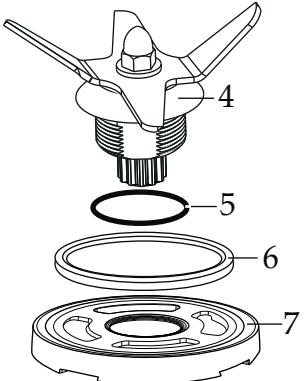
MX1100XTX SUP1100XTX

Superior / US Foods (last built 9/5/2014)

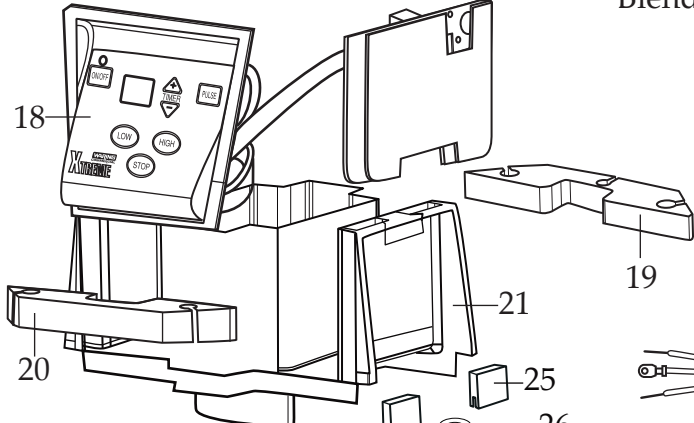
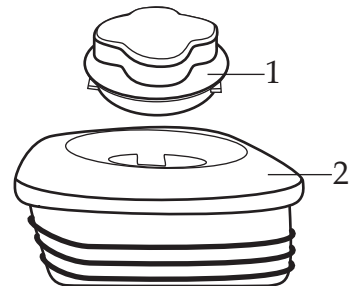
Unit Information
Limited 3 Year Motor Warranty Two Year Parts & Labor
60Hz - 13 Amps
3 HP Motor - 30,000+ RPM's
One Piece Dishwasher Safe Removable Jar Pad



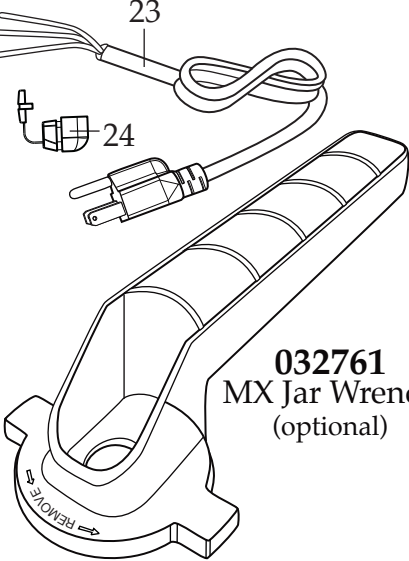
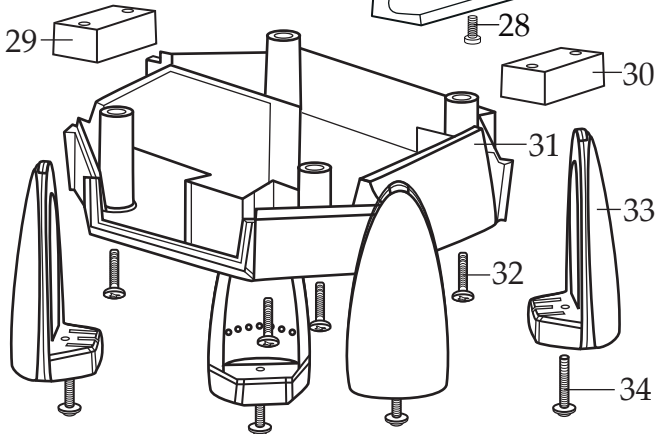
503351
MX Coupling Wrench
(optional)



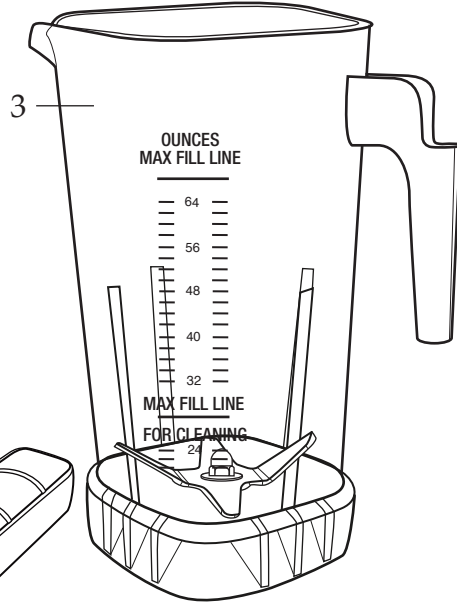
030889
Blending Assembly Kit



013304
NSF Seal



032761
MX Jar Wrench
(optional)



Catalog
MX1100XTX
SUP1100XTX

Model
MX1100XT41



Illustration#	Part#	Description
1	026425-E	Jar Lid Cover
2	026424-V	Vinyl Jar Lid <i>(changed after 12/17/2012)</i>
3	503326	64 oz. Stackable Raptor Container ONLY
	503398	64 oz. Stackable Raptor Container with Blending Assembly <i>(on units after 2/14/2011)</i>
	503350	64 oz. Stackable Container with Blending Assembly
4	503397	Blade Assembly <i>(changed after 2/14/2011)</i>
5	024271	Bearing Holder O Ring
6	024268	Nut Gasket
7	029631	Bearing Holder Nut
8	028538	Drive Coupling
9	026442	Jar Pad
10	035396	Leili Motor without Sensor <i>(on units after 6/13/2017)</i>
	028100	ECM Motor without Sensor
11	026437	Dampening Plate Gasket
12	028032-09	Black Top Housing
13	028541	Motor Foam (2 required)
14	026439	Dampening Plate Bushing (4 required)
15	026453	Dampening Plate Sleeve (4 required)
16	026459	Washer
17	028929	Sems (4 required)
18	036398	Control Panel with Interlock <i>(on units after 8/6/2018)</i>
	029810	Soft Start Control Panel (use 036398)
19	028248	Top Housing Foam Rear Baffle
20	028249	Top Housing Foam Front Baffle
21	036814	Motor Housing 2.78" <i>(on units after 6/14/2019)</i>
	028240-67	Motor Housing <i>(on units after 6/13/2017)</i>
	028240	Motor Housing
22	002943	Washer (2 required)
23	026925	Cord Set
24	007556	Strain Relief
25	034900	PCB Cushion (2 required)
26	037232	Neoprene Washer
27	037007	PCB Mounting Bracket

Catalog Model
 MX1100XTX MX1100XT41
 SUP1100XTX

Waring Factory Service Center
 314 Ella T. Grasso Ave.
 Torrington, CT 06790
 Tele. 1-800-269-6640
 Fax 860-496-9017
 www.waringcommercialproducts.com

Illustration#	Part#	Description
28	013768	Screw
29	028247	Bottom Housing Foam Baffle
30	028542	Foam Baffle
31	028241-09-X	Black Bottom Housing
32	012505	Screw (4 required)
33	026430	Corner Post (4 required)
34	028928	Sems (4 required)


033483
 Brush/Spring
 (2 required use with ECM motor)

